




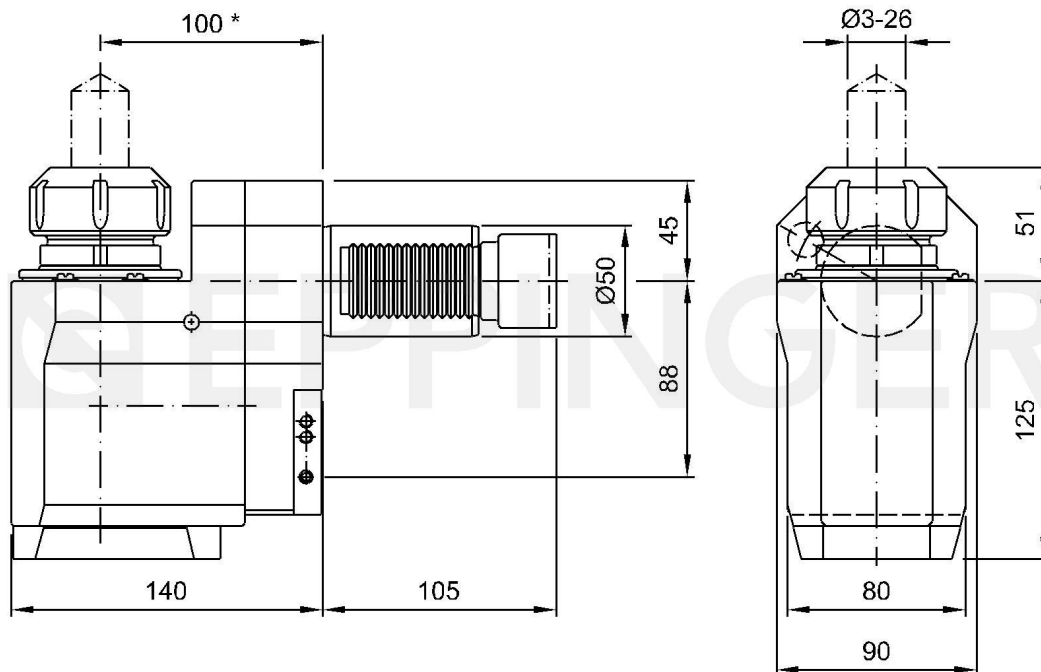
Drilling and milling head, angular, left hand, short collet chuck, ER40, external and central coolant supply

Part Number 9.820.191
for Okuma LB35II-M (bis Baujahr 05/2001)

Ratio 1:1
 rpm at Input max. 4000 rpm
 rpm at Output max. 4000 rpm
 Torque at Output max. 100 Nm
 Direction of Rotation 
 Scope of Delivery **supplied with wrench, excluding collets**

*** Actual size inscribed on the tool**

Accessories Collets see Equipment for Toolholders Z2.1
 Sealing washers see Equipment for Toolholders Z4.1
 Coolant tubes 218.445.220



Technical Data Subject to Change

25.05.1999 | 18.01.2016