




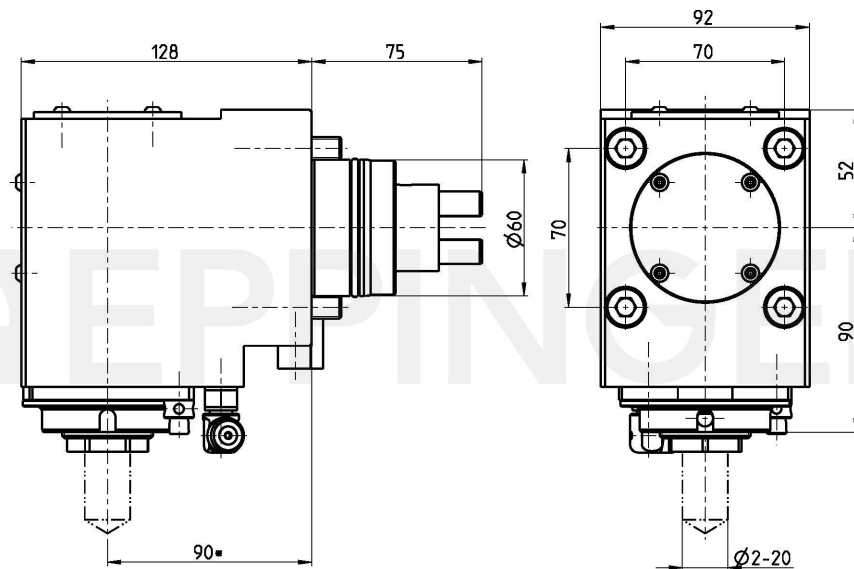
Drilling and milling head, angular, left hand - right hand collet chuck, ER32A, PRECI-FLEX®, external coolant supply

Part Number **7.076.350**
for **Takisawa EX-308/310/508/510**

Ratio **1:1**
 rpm at Input **max. 6000 rpm**
 rpm at Output **max. 6000 rpm**
 Torque at Output **max. 70 Nm**
 Direction of Rotation 
 Scope of Delivery **without wrench and collets**
 *** Actual size inscribed on the tool**



Accessories Collets see Equipment for Toolholders Z2.
 Wrench for spindle 0.002.277
 PRECI-FLEX® Adapter
 Spindle cover see P99.1



Technical Data Subject to Change

30.05.2012 | 14.11.2012